

**MODULARTE**  
**OUTDOOR**  
**LAB**

**tulip**



## Tulip

Conical planter in **steel** with **ABS** vessel inside with water reserve.

### accessories.

Conical planter composed of 4 **steel** walls . All our planters have a system of water reserve obtained with different techniques depending on the type and size of the planter and the placement in or out of the planter.

### Water reserve and drainage

The planters are supplied with an **abs** vase inserted inside the **steel** planter . Indoor planters do not have overflow and have a water level indicator in reserve on the bottom.

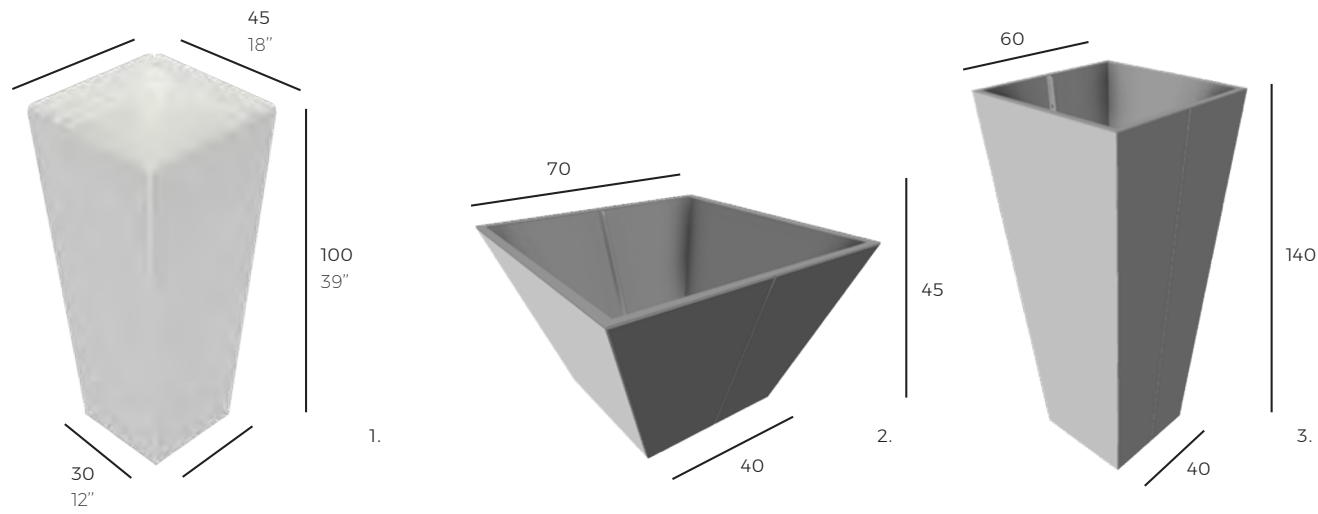
### Feet

The steel feet are **adjustable** in height and adaptable to any type of flooring.

### Finishes

You can mount walls of **different colors** and walls with a slab of **gres** or another decorative panel inserted , or forex panels with digital prints.





(1) CONE

CONICAL PLANTER COMPOSED OF 4 WALLS IN STEEL. ADJUSTABLE FEET IN HEIGHT.  
ON REQUEST CUSTOMIZED WALLS WITH DECORATION OR LASER-LACED LOGO.

(2) TULIP

CONICAL STEEL PLANTER REALIZED WITH 4 WALLS CHARACTERIZED BY A DRAWING PLANNING THE PETALS OF A TULIP.  
ADJUSTABLE FEET IN HEIGHT.



ALL OUR FLOWERERS HAVE A WATER RESERVE SYSTEM OBTAINED WITH DIFFERENT TECHNIQUES ACCORDING TO THE TYPE AND DIMENSION FLOWERING AND POSITIONING IN INDOOR OR OUTSIDE OF THE PLANT.

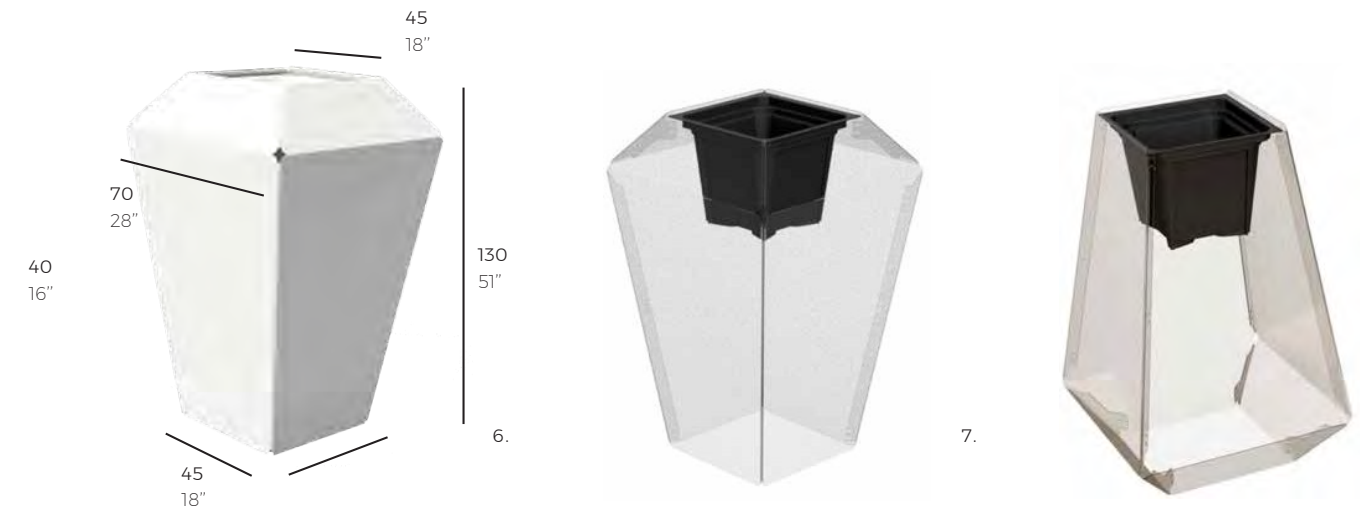
(6) THE FLOWERS HERE ILLUSTRATED HAVE IN THE UNDERFLOOR A ABS VASE INSERTED INSIDE THE STEEL PLANTER.

IN THE VESSEL EQUIPMENT:

PAY ON THE 6 CM BACKGROUND OF EXPANDED CLAY FOR GARDENING USE;

PLACE THE INOFFIATURA TUBE SUPPLIED IN A CORNER OF THE VASE:

IN WATERING IN THE WATER WILL ARRIVE DIRECTLY TO THE WATER RESERVE ON THE FUND, WITHOUT DILAVING THE TERRACE.



(6) AMPHORA

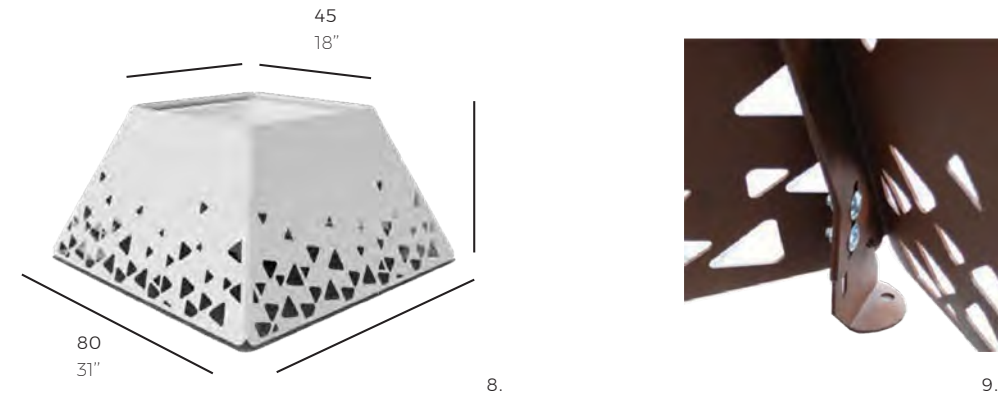
(7) SHAPED STEEL PLANTER WITH ANTI-SHAPED WALLS. CAN BE MOUNTED

(8) ON THE GROUND ALSO TURNED GETTING 2 VERSIONS OF STYLE AND DIFFERENT DESIGN. ADJUSTABLE FEET IN HEIGHT.

(9) VOLCANO

(10) PLANTER IN STEEL WITH A CONICAL SHAPE WITH DECORATION ON THE BASE THAT LEAVES THE PAVIMENTATION UNDERLYING.

(11) THE DECISIVE AND ORIGINAL STYLE IS CONTRADED BY THE BASE PYRAMIDAL FORM (9) VERY WIDE. ADJUSTABLE FEET IN HEIGHT.



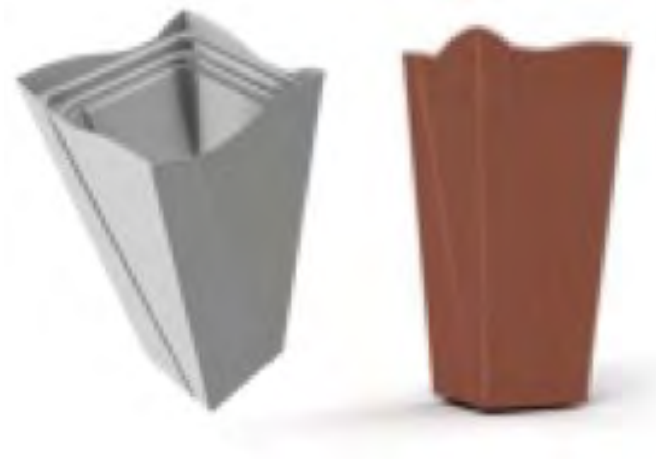
(10) IF THE VESSEL IS POSITIONED IN INDOOR (2) THE FLOATING LEVEL INDICATOR MUST BE INSERTED TO CHECK THE QUANTITY OF WATER IN RESERVE.

(11) IF THE FLOWERBOARD IS POSITIONED OUTSIDE (1), IT MUST BE MADE TOO FULL AT THE END OF FAR DEFLIFTING THE WATER EXCESS BEYOND THE LIMIT RESERVES OF DESIRED WATER;



## HOW TO ORDER A TULIP

AIOLA IS A MODULAR SYSTEM FOR THE REALIZATION OF AIULES IN ROOF GARDENS AND COTTLED AREAS. THE SYSTEM MAKES MODULAR COMPONENTS SUCH AS FEET PAIRS, STEEL SUBSTRUCTURE AND WATER RESERVE EQUIPMENT. YOU CAN REALIZE EVERY FORM DESIRED AS IN THE DIAGRAMS HERE BELOW.



IN DESIGNING THE AIULES AND IN THE CALCULATION OF THE PRICE, IT MUST BE TAKEN THAT THE MODULES ARE COMPOSED OF: 4 OR 3 OR 2 OR 1 WALL. EVEN THE CALCULATION OF THE QUOTES IS BASED ON MODULES OF 4 3 2 WALLS.

YOU CAN REALIZE:  
SQUARE AIUOLE WITH 4 WALLS

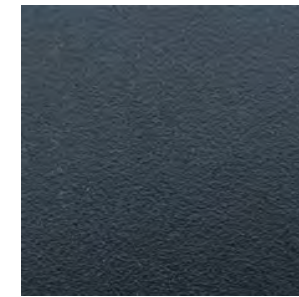
STRONG AND LONG STRUCTURES COMPOSED OF A ROW OF MODULES THEREFORE THE HEAD MODULES ARE COMPARISON OF 3 WALLS WHILE MODULES INTERMEDIATE OF 2 WALLS

RECTANGULAR AIULES OR SQUARES OF LARGE DIMENSIONS- NI KNOWING ALWAYS THAT MODULES CAN BE FROM 2 WALLS (CORNER) OR 1 WALL.

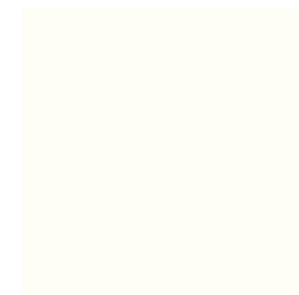
CORNER AND TRIANGULAR AIULES COMPOSED OF 3 AND 1 WALL MODULES.

AIUOLE OF GEOMETRIC SHAPES IN DRAWING  
AIULES WITH IRREGULAR FORMS (ON SPECIFIC PREVENTIVE PROJECT).

## COLORI



**micaceo**  
G3



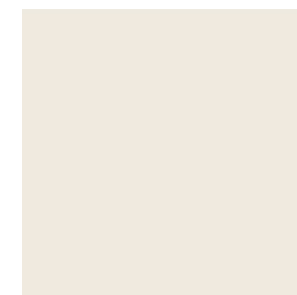
**bianco**  
RAL9010



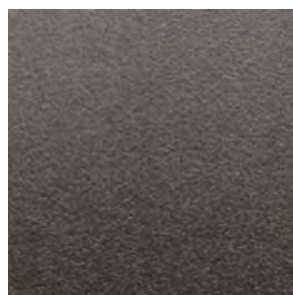
**grigio topo**  
G2



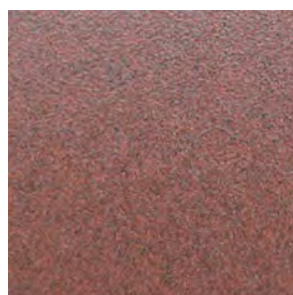
RAL 7024  
**grigio**



RAL1013  
**avorio**

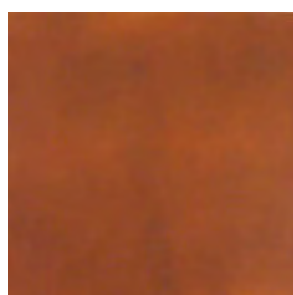
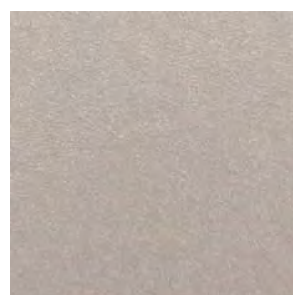


**dark brown**  
M3



**ruggine**  
M2

**tortora**  
M1



**corten**  
001



**lamiera  
corten**  
002

**MODULARTE**  
OUTDOORLAB

VIA WALTER TABACCHI 125  
41123 - MODENA (MO)  
ITALY

+39 059 82 13 81

[INFO@MODULARTE.IT](mailto:INFO@MODULARTE.IT)

[MODULARTE.IT](http://MODULARTE.IT)