

MODULARTE
OUTDOOR
LAB

volcano



volcano

Volcano

Low conical vase in **steel** with decoration and with **ABS** vase with water reserve. Feet in **stainless steel** adjustable in height.

accessories.

Conical planter composed of 4 **steel** walls . All our planters have a system of water reserve obtained with different techniques depending on the type and size of the planter and the placement in or out of the planter. Feet **adjustable** in height. On request customized walls with decoration or laser carved logo.

Water reserve and drainage

An ABS vase with water reserve is inserted inside. The drain is connected to a rubber holder; in this way the excess water is discharged and can be channeled and conveyed to the nearest drain of the terrace without wetting the floor.

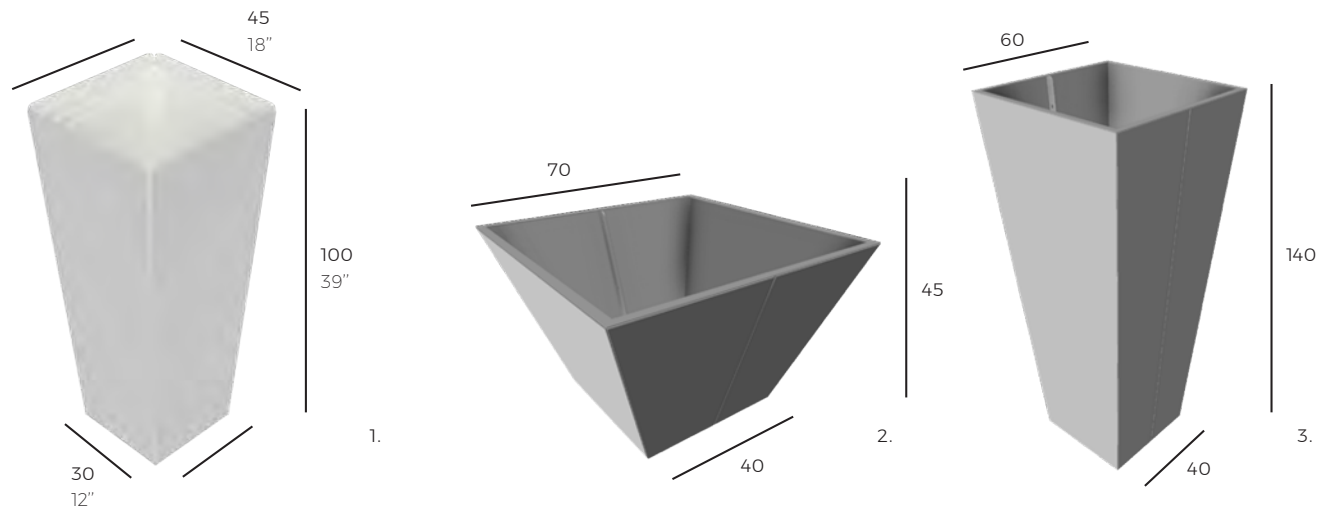
Feet

The steel feet are **adjustable** in height and adaptable to any type of flooring.

Finishes

You can mount walls of **different colors** and walls with a slab of **gres** or another decorative panel inserted , or forex panels with digital prints.





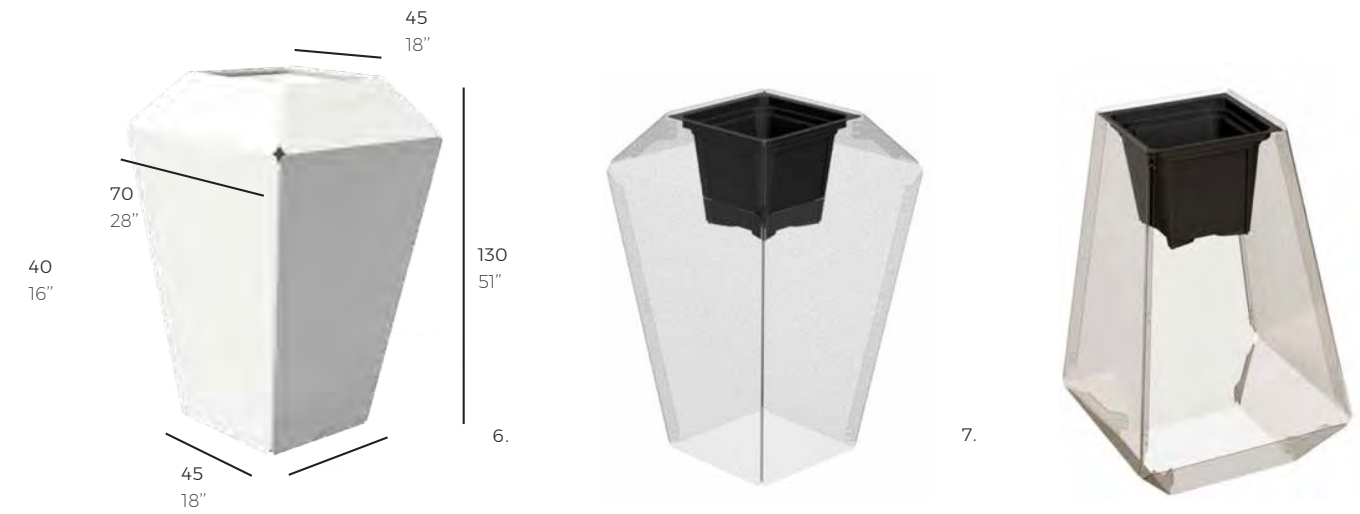
(1) CONE
CONICAL PLANTER COMPOSED OF 4 WALLS IN STEEL. ADJUSTABLE FEET IN HEIGHT.
ON REQUEST CUSTOMIZED WALLS WITH DECORATION OR LASER-LACED LOGO.

(2) TULIP
CONICAL STEEL PLANTER REALIZED WITH 4 WALLS CHARACTERIZED BY A DRAWING PLANNING THE PETALS OF A TULIP.
ADJUSTABLE FEET IN HEIGHT.

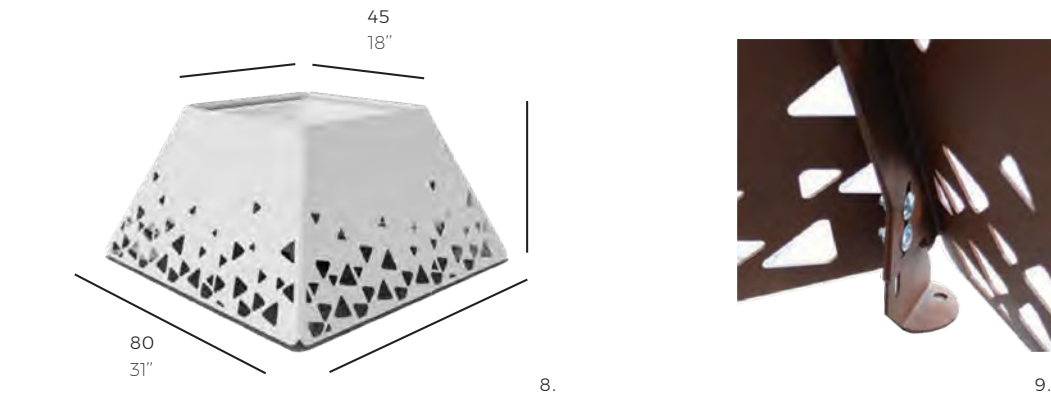


ALL OUR FLOWERERS HAVE A WATER RESERVE SYSTEM OBTAINED WITH DIFFERENT TECHNIQUES ACCORDING TO THE TYPE AND DIMENSION FLOWERING AND POSITIONING IN INDOOR OR OUTSIDE OF THE PLANT.
(6) THE FLOWERS HERE ILLUSTRATED HAVE IN THE UNDERFLOOR A ABS VASE INSERTED INSIDE THE STEEL PLANTER.

IN THE VESSEL EQUIPMENT:
PAY ON THE 6 CM BACKGROUND OF EXPANDED CLAY FOR GARDENING USE;
PLACE THE INOFFIATURA TUBE SUPPLIED IN A CORNER OF THE VASE;
IN WATERING IN THE WATER WILL ARRIVE DIRECTLY TO THE WATER RESERVE ON THE FUND, WITHOUT DILAVING THE TERRACE.



(6) AMPHORA
(7) SHAPED STEEL PLANTER WITH ANTI-SHAPED WALLS. CAN BE MOUNTED
(8) ON THE GROUND ALSO TURNED GETTING 2 VERSIONS OF STYLE AND DIFFERENT DESIGN. ADJUSTABLE FEET IN HEIGHT.
(9) VOLCANO
(10) PLANTER IN STEEL WITH A CONICAL SHAPE WITH DECORATION ON THE BASE THAT LEAVES THE PAVIMENTATION UNDERLYING.
(11) THE DECISIVE AND ORIGINAL STYLE IS CONTRADED BY THE BASE PYRAMIDAL FORM (9) VERY WIDE. ADJUSTABLE FEET IN HEIGHT.



(10) IF THE VESSEL IS POSITIONED IN INDOOR (2) THE FLOATING LEVEL INDICATOR MUST BE INSERTED TO CHECK THE QUANTITY OF WATER IN RESERVE.
(11) IF THE FLOWERBOARD IS POSITIONED OUTSIDE (1), IT MUST BE MADE TOO FULL AT THE END OF FAR DEFLIFTING THE WATER EXCESS BEYOND THE LIMIT RESERVES OF DESIRED WATER;



HOW TO ORDER A VOLCANO

AIOLA IS A MODULAR SYSTEM FOR THE REALIZATION OF AIULES IN ROOF GARDENS AND COTTLED AREAS.

THE SYSTEM MAKES MODULAR COMPONENTS SUCH AS FEET PAIRS, STEEL SUBSTRUCTURE AND WATER RESERVE EQUIPMENT.

YOU CAN REALIZE EVERY FORM DESIRED AS IN THE DIAGRAMS HERE BELOW.



IN DESIGNING THE AIULES AND IN THE CALCULATION OF THE PRICE, IT MUST BE TAKEN THAT THE MODULES ARE COMPOSED OF: 4 OR 3 OR 2 OR 1 WALL.

EVEN THE CALCULATION OF THE QUOTES IS BASED ON MODULES OF 4 3 2 WALLS.

YOU CAN REALIZE:

SQUARE AIUOLE WITH 4 WALLS

STRONG AND LONG STRUCTURES COMPOSED OF A ROW OF MODULES THEREFORE THE HEAD MODULES ARE COMPARISON OF 3 WALLS WHILE MODULES INTERMEDIATE OF 2 WALLS

RECTANGULAR AIULES OR SQUARES OF LARGE DIMENSIONS- NI KNOWING ALWAYS THAT MODULES CAN BE

FROM 2 WALLS (CORNER) OR 1 WALL.

CORNER AND TRIANGULAR AIULES COMPOSED OF 3 AND 1 WALL MODULES.

AIUOLE OF GEOMETRIC SHAPES IN DRAWING

AIULES WITH IRREGULAR FORMS (ON SPECIFIC PREVENTIVE PROJECT).

COLORI

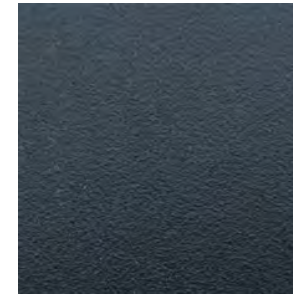
grigio topo

G2



micaceo

G3

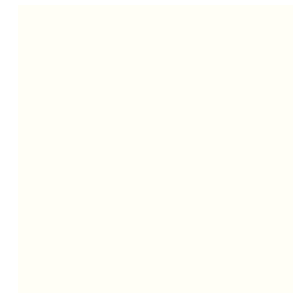


RAL 7024
grigio

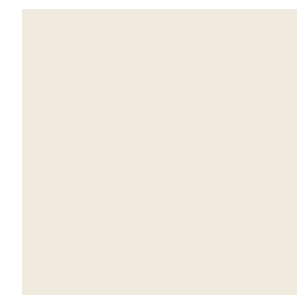


bianco

RAL9010



RAL1013
avorio



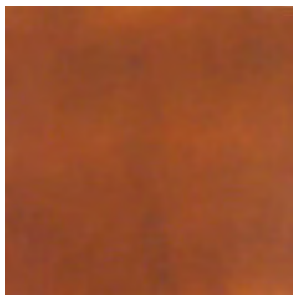
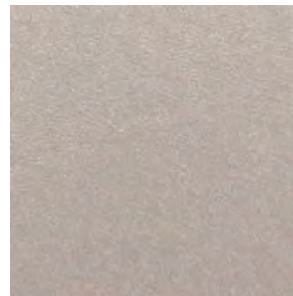


dark brown
M3



ruggine
M2

tortora
M1



corten
001



**lamiera
corten**
002

MODULARTE
OUTDOORLAB

VIA WALTER TABACCHI 125
41123 - MODENA (MO) ITALY

+39 059 82 13 81

INFO@MODULARTE.IT

MODULARTE.IT